

Texas Tough Series Ganging Racks

19" Wide Opening Stand-Alone/Gangable Deep Floor Cabinet



Features

- UL Listed 2416
- Six Model Heights and Three Depths Available
- Digital Rack Crown
 - Edgelit Customizable Acrylic Badge
 - Integrated Remote Equipment Monitoring with Visual and Audible Alert Capabilities
 - Interior Mounted LED Lighting
- DINlok™ Technology Allows Quick and Easy Rail Adjustment on the Included DIN Channels
- Replaceable Air Filter Panels Reduce Debris Intrusion Into Rack
- Available with Either an Acrylic, Solid, or Perforated Front Door
- Hybrid Design Allows for Use in Standalone or Gangable Deployments
- Rear Doors Offer Right or Left-hand Hinging Capability
- Up to 13RU Panel Opening in Top Offers Wiring Convenience or Fan Panel Cooling with Optional Fan Kits and Top Panels
- Two Pairs of 12-gauge CRS Adjustable Mounting Rails are Plated, Drilled, and Tapped 10-32 with Printed Rack Elevation Numbers
- Filters can be Removed for Increased Wiring Access or to Gang Multiple Units Together
- Manufactured to E.I.A. Standards
- 16-gauge Tops / Bottoms / Frames

Applications

Texas Tough equipment racks are the culmination of years of research and development that includes features never before incorporated into a cabinet that benefit both the end-user and integrator. These cabinets can be deployed in data centers, corporate offices, conference rooms, restaurants, entertainment facilities, security offices, broadcast facilities, industrial facilities, and military / government installations. Each model is built to Standard EIA / ECA-310-E that meets most OEM, commercial, and military application requirements.

General Description

The AtlasIED Texas Tough Series cabinets are like no equipment cabinets in the market today. Sleek and modern with advanced features, these racks are designed to be showcased at an installation rather than buried in an equipment closet. The cabinets are available in six different heights, starting at 20RU and going up to 45RU, and are available in either 25", 30" or 35" depths (refer to chart on next page for exact dimensions and model numbers). All cabinets feature 16-gauge steel tops, bottoms, sides, and frames.

Each model ships with either an acrylic, solid, or perforated front door that is user selectable to best match their installation. Additionally, a flush mount 18-gauge steel rear door is included. Both doors include premium low-profile pop-out swing handle hardware with integrated cylinder locks.

Texas Tough series racks are best identified by their unique digital rack crown. This unique crown is designed to both increase the aesthetic style of the rack and to add additional functionality. Each digital rack crown includes a LED edgelit acrylic badge that can be set to a variety of colors to match customer style requirements. This acrylic badge can be custom created with either the customer's logo or the integrator's logo and contact information to provide easily locatable contact information for post installation support. An integrated circuit board in the rack crown includes a contact closure that can be connected to a remote fault indicator allowing the LEDs to change color and an alarm to trigger when an equipment fault is indicated. This provides a visual and audible alarm clue that there is an issue.

Down-firing LED lights are integrated into the front soffit of the rack. The white light intensity is adjustable for both the open and closed door positions. This provides illumination for technicians working on the installed equipment with the rack door in the open position. Also, the LEDs can be used to provide a less intense ambient light in the closed door rack to delicately showcase the equipment when installed in a high profile location. The LEDs are adjustable by setting the intensity through the dip switch settings.

The front and rear rails install to the DIN rails via the patented DINlok™ technology system. The installation is tool-less and positively locks the rail into a specific location within provided 1" increments. In addition, the industrial standard 35mm x 15mm DIN rails are commonly used for mounting electrical and network devices.

Texas Tough cabinets can be used as stand-alone units or joined together in a gangable array. For standalone use, they incorporate solid side panels with premium air filter panels pre-installed. These air filter panels cut down on dirt and dust intrusion into the rack keeping the installed equipment clean and optimally functioning. In addition, these air filters feature a replaceable filter membrane that is accessed from the outside of the rack. A provided air block may also be installed on individual air filters to better control heat and cooling paths. When multiple Texas Tough racks need to be ganged together, there are locking points located on the side panels to easily bolt them together. The air filter panels can be removed and used as a cable pass thru between racks. The multi-functional knock-out panels are provided on the rack top and rear positions.

Cabinets include two pairs of front-to-rear adjustable mounting rails tapped 10-32. Rails are standard E.I.A. $\frac{5}{8}$ "- $\frac{5}{8}$ "- $\frac{1}{2}$ " spacing.

A caster kit, model TT-RCK, is available for applications requiring the rack to be mobile prior to being loaded with equipment. AtlasIED offers a wide range of rack accessories including panels, shelves, lacing bars, drawers, fans, and other accessories that allow for complete rack customization. All Texas Tough racks are Made in the USA at the AtlasIED facility in Ennis, TX.

Model	Rack Spaces	Overall Height	Racking Height	Overall Width	Overall Depth	Usable Depth
TT20-25PS,V	20	42.86"	35.25"	22.47"	27.68"	22.7"
TT20-30PS,V	20	42.86"	35.25"	22.47"	32.68"	27.7"
TT25-25PS,V	25	51.61"	43.81"	22.47"	27.68"	22.7"
TT25-30PS,V	25	51.61"	43.81"	22.47"	32.68"	27.7"
TT30-25PS,V	30	60.36"	52.56"	22.47"	27.68"	22.7"
TT30-30PS,V	30	60.36"	52.56"	22.47"	32.68"	27.7"
TT35-25PS,V	35	69.09"	61.31"	22.47"	27.68"	22.7"
TT35-30PS,V	35	69.09"	61.31"	22.47"	32.68"	27.7"
TT35-35PS,V	35	69.09"	61.31"	22.47"	37.68"	32.7"
TT40-25PS,V	40	77.84"	70.06"	22.47"	27.68"	22.7"
TT40-30PS,V	40	77.84"	70.06"	22.47"	32.68"	27.7"
TT40-35PS,V	40	77.84"	70.06"	22.47"	37.68"	32.7"
TT45-25PS,V	45	86.59"	78.81"	22.47"	27.68"	22.7"
TT45-30PS,V	45	86.59"	78.81"	22.47"	32.68"	27.7"
TT45-35PS,V	45	86.59"	78.81"	22.47"	37.68"	32.7"

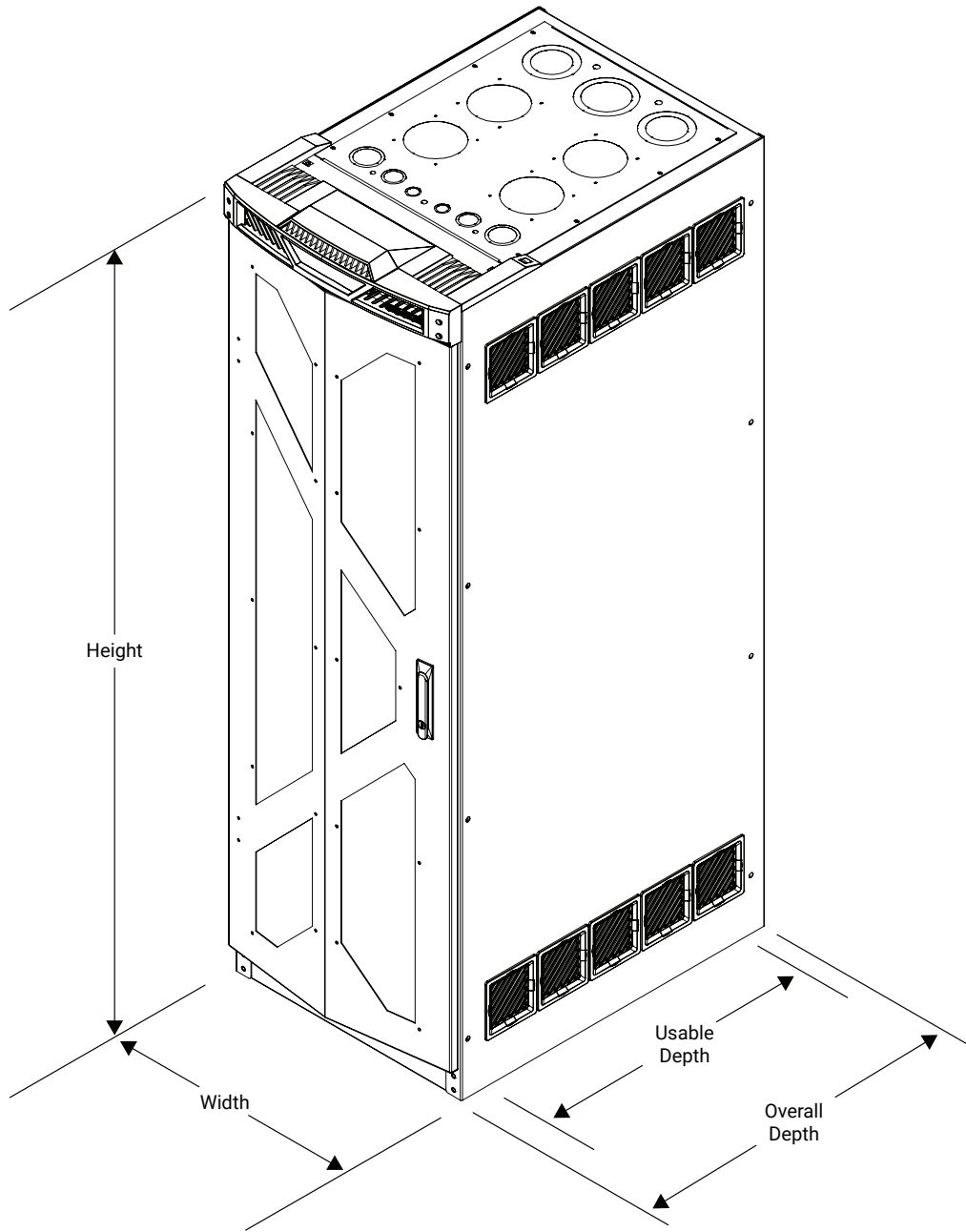
Texas Tough Rack Model Number Descriptions

TTXX-YYZ ie TT20-25P

- TT Texas Tough Series Designator
- XX Model Height in RU
- YY Model Depth in Inches
- Z Front Door Style
- P Acrylic
- S Solid
- V Perforated

©2020 Atlas Sound L.P. The Atlas "Circle-A", Soundolier, and Atlas Sound are trademarks of Atlas Sound L.P. IED is a Registered Trademark of Innovative Electronic Designs LLC. All rights reserved. All other Trademarks are property of their respective owners. No endorsement is implied. Due to continual product development, specifications are subject to change without notice. ATIS005780 RevB 8/20

Dimensional Drawings



©2020 Atlas Sound L.P. The Atlas "Circle-A", Soundolier, and Atlas Sound are trademarks of Atlas Sound L.P. IED is a Registered Trademark of Innovative Electronic Designs LLC. All rights reserved. All other Trademarks are property of their respective owners. No endorsement is implied. Due to continual product development, specifications are subject to change without notice. ATSO05780 RevB 8/20